



PROJECT		REF		REV	ITEM CODE	
LOCATION		DATE			PAGE	

SANITARY WARE SPECIFICATION SHEET

Item Descriptions	American Standard (PRC) "Super Thin" 250mm round rain shower head; Nominal flow rate 7.9L/Min in WELS Grade 1 ; Registration No. SB 18-0122	Illustration/ Drawing
Model	CF-S030.006.50	
Finish	Stainless Steel	
Manufacturer	American Standard (PRC)	
Source	Acme Sanitary Ware Co. Ltd Mr. Eric Wong / Mr. Don Yuen	
Contact Tel/Fax	(852) 2388-7171 / (852) 2710-8012	
E-mail	acme@acmesanitary.com.hk	
Website	www.acmesanitary.com.hk	

ULTRA SLIM OVERHEAD SHOWER

MODERN DESIGN THAT CAN EASILY FIT ANY SHOWER ROOM

Ultra slim is an understatement. At only 2mm**of sleek edge thinness, this overhead shower fits into a modern contemporary bathroom.

STAINLESS STEEL / BRASS

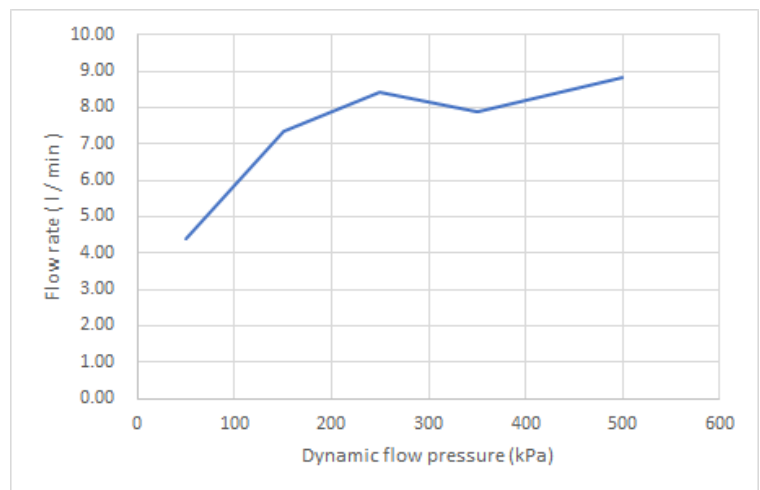
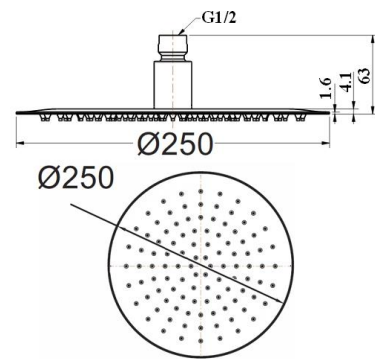
STRONG MATERIAL CONSTRUCTION FOR DURABLE USE

Made from 304 Stainless Steel, this slim showerhead exudes exceptional resistance to corrosion. Made of high quality brass

FLEXIBLE SILICON NOZZELS

EASY CLEAN

Limescale deposits are easily rubbed off in an instant.



Dynamic flow pressure (kPa)	50	150	250	350	500
Flow rate (l/min)	4.38	7.33	8.43	7.88	8.83

* All information of the above is for the reference only. No prior notice is made if any changes.

註冊號碼 (Registration No.): SB 18-0122



自願參與用水效益標籤計劃 - 沐浴花灑
Voluntary Water Efficiency Labelling Scheme - Showers for Bathing



茲證明
This is to certify that



將下列花灑在本計劃內註冊：
has registered the following shower under this scheme :

牌子 / Brand	:	American Standard
型號 / Model	:	CF-S030.006.50
原產地 / Country or Region Origin	:	China

在用水效益標籤上展示的標誌 <i>Symbolic Presentation on the Water Efficiency Label</i>	:	 滴水點 <i>Water droplet(s)</i>
用水效益級別 <i>Water Efficiency Grade</i>	:	1
耗水量 <i>Water Consumption</i>	:	7.9 公升/分鐘 <i>litres/minute</i>

簽發日期:
Date of Issue: 29 May 2018

 水務署
Water Supplies Department



水務署署長(周世威代行)
for Director of Water Supplies